



Alta Full Spectrum 20w Series Specification



SPECIFICATIONS

Absolute Maximum Ratings

(Ta=25°C)

Parameter	Symbol	Max.	Unit
Dc Forward Voltage	Vf	35	V
Dc Forward Current	If	1750	mA
Power Dissipation	P _d	50	W
Operating Temperature Range	Tope	-40 ~ +85	°C
Storage Temperature Range	Tsto	-40 ~ +100	°C

Electrical / Optical Characteristics Cool White (Ta=25°C)

Parameter	Symbol	Min.	Typ.	Max.	Unit	Test Condition
Dc Forward Voltage	Vf	29	/	35	V	If=1750mA
Color Temp Cold White	CCT	5000	/	7000	K	If=1750mA
Luminous Flux *	Flux	/	1800	/	lm	If=1750mA
Viewing Angle	2θ _{1/2}	/	170	/	Deg	*
Color Rendering Index	CRI	91	/	95		If=1750mA

Electrical / Optical Characteristics Warm White (Ta=25°C)

Parameter	Symbol	Min.	Typ.	Max.	Unit	Test Condition
Dc Forward Voltage	Vf	29	/	35	V	If=1750mA
Color Temp Cold White	CCT	3000	/	4000	K	If=1750mA
Luminous Flux *	Flux	/	1600	/	lm	If=1750mA
Viewing Angle	2θ _{1/2}	/	170	/	Deg	*
Color Rendering Index	CRI	93	/	97		If=1750mA

*Forward voltage measurement allowance is ±0.1V.

*Luminous intensity is measured with a light sensor and filter combination that approximates the CIE eye-response curve.

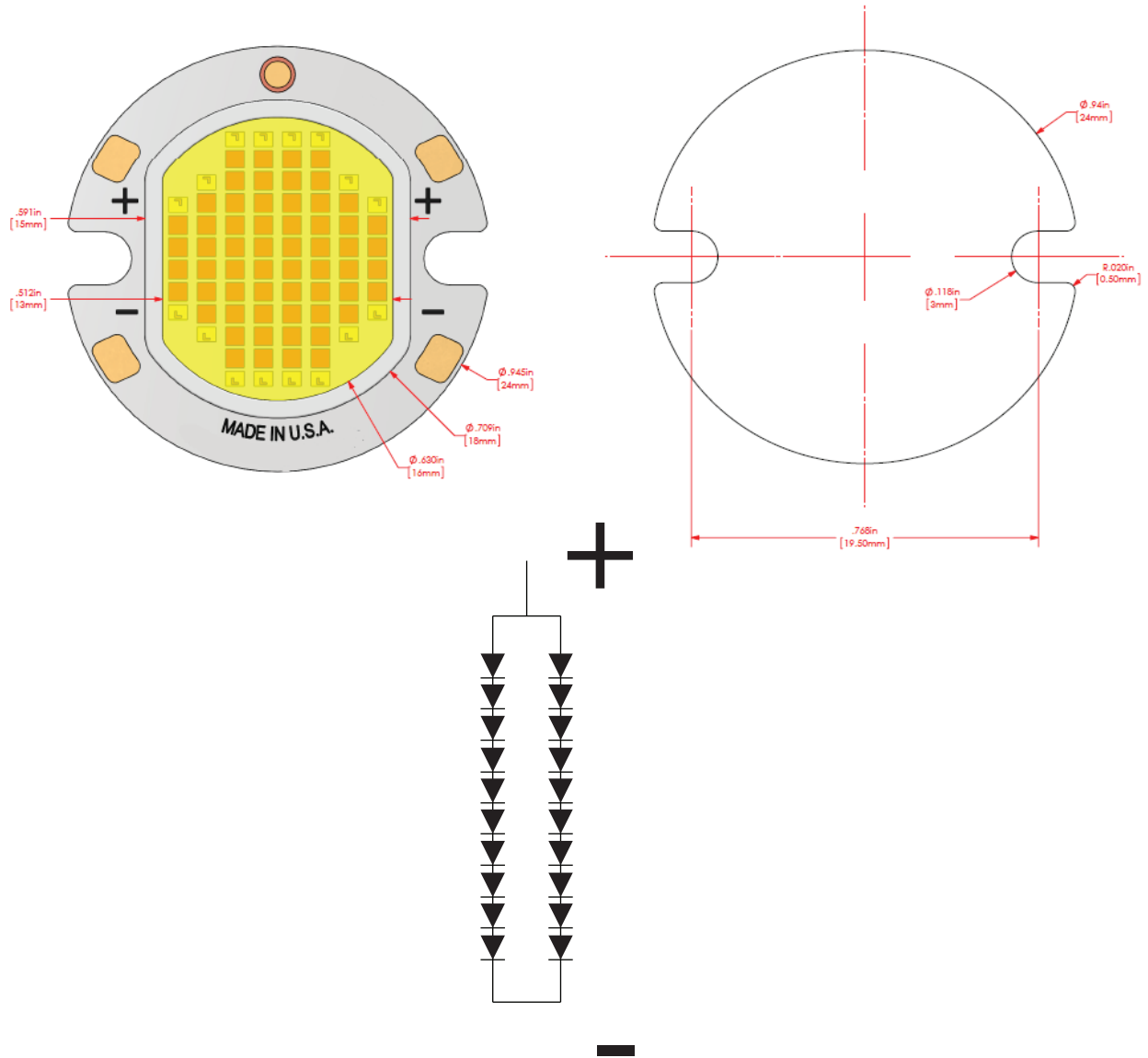
*Luminous Intensity Measurement Allowance is ±10%.

*Dominant Wavelength measurement allowances is ±1nm.

*2θ_{1/2} is the off-axis angle at which the luminous intensity is half the axial luminous intensity.

*Please see attachments for BIN classifications.

PACKAGE



1. All dimensions are in millimeters.
2. Tolerances are ± 0.2 mm, unless otherwise noted.