



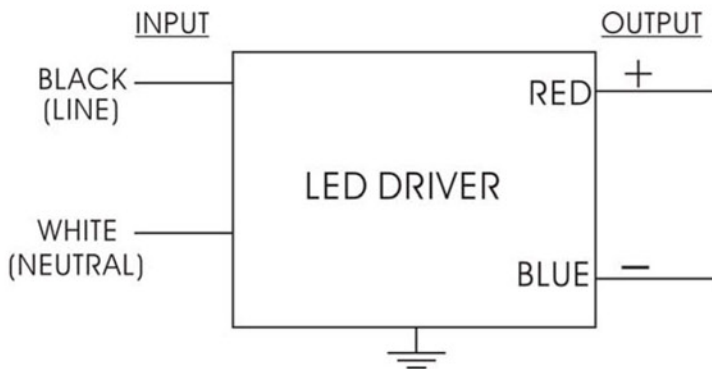
Model Number AC-62C1.75UV

Electrical Specifications

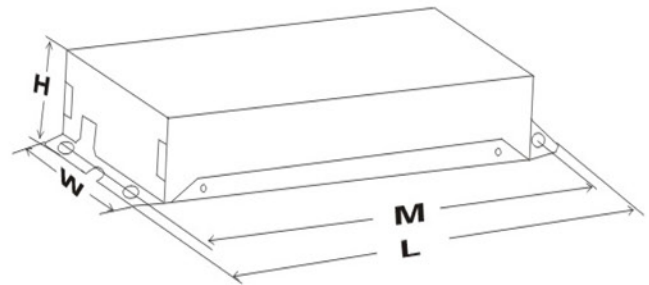
| | |
|-----------------|------------------|
| Driver Type | Electronic |
| Output Model | Constant Current |
| Input Voltage | 120-277Vac |
| Input Frequency | 50/60Hz |
| Status | Active |

| Output Power Max. (W) | Output Voltage (V) | Output Current (A) | Min. Start Temp. (°F/°C) | Tcase Temp. Max. (°F/°C) | Input Current (A) | Input Powr (W) | THD Max. (%) | Power Factor Min. | Efficiency Max. (%) | Surge Protection (KV) | IP Rating |
|-----------------------|--------------------|--------------------|--------------------------|--------------------------|--|----------------|--------------|-------------------|---------------------|-----------------------|-----------|
| 62 | 32-35 | 1.75 | -40/-40 | 194/90 | 0.58@120V 0.25@277V | 70 | 15 | 0.95 | 86.2 | - | 66 |

Wiring Diagram



Enclosure



| | in. | cm. | | in. | cm. |
|--------|-----|------|--------------|-----|-----|
| Black | 12 | 30.5 | Yellow/Blue | | |
| White | 12 | 30.5 | Blue/White | | |
| Blue | 12 | 30.5 | Brown | | |
| Red | 12 | 30.5 | Orange | | |
| Yellow | | | Orange/Black | | |
| Gray | | | Purple | | |

| Over All(L) | Width(W) | Height(H) | Mounting(M) |
|-------------|----------|-----------|-------------|
| 17.2cm | 6.1cm | 3.1cm | 15.8cm |
| 6.77" | 2.4" | 1.22" | 6.22" |

Maximum Wiring Distance(at full load) is 18AWG/18Feet

AC ELECTRONICS



POWER DESIGNS™
DIVISION

Data based upon tests performed by AC Electronics in a controlled environment and representative performance. Actual performance can vary depending on operating conditions. Specifications are subject to change without notice. All specifications are nominal unless otherwise noted.