

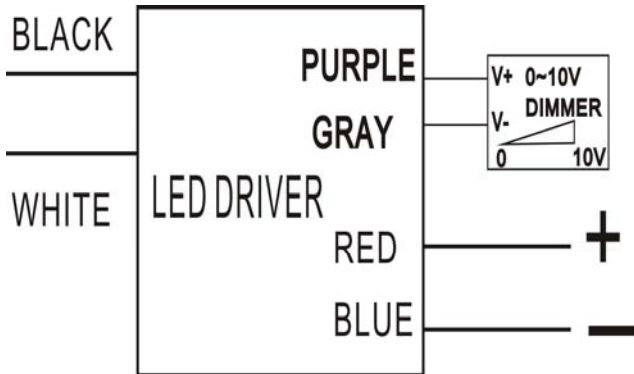


**Model Number**  
**AC-84CD2.8UV**

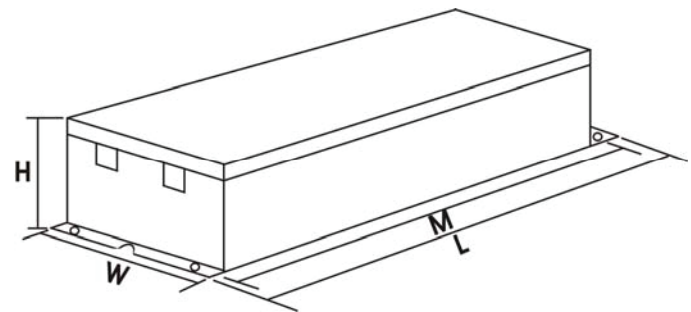
Driver Type	Electronic
Output Model	Constant Current
Input Voltage	120-277Vac
Input Frequency	50/60Hz
Status	Active

Output Power Max. (W)	Output Voltage (V)	Output Current (A)	Min. Start Temp. (°F/°C)	Tcase Temp. Max. (°F/°C)	Input Current (A)	Input Powr (W)	THD Max. (%)	Power Factor Min.	Efficiency Max. (%)	Surge Protection (KV)	IP Rating
84	20-30	2.8	-40/-40	194/90	<a href="#">0.82@120V</a> <a href="#">0.35@277V</a>	98	10	0.95	86	2	67

Wiring Diagram



Enclosure



	in.	cm.		in.	cm.
Black	5.9	15	Yellow/Blue		
White	5.9	15	Blue/White		
Blue	5.9	15	Brown		
Red	5.9	15	Orange		
Yellow			Orange/Black		
Gray			Purple		

Over All(L)	Width(W)	Height(H)	Mounting(M)
24.1cm	6.1cm	3.7cm	22.6cm
9.5"	2.4"	1.46"	8.9"

Maximum Wiring Distance(at full load) is 18AWG/18Feet



Data based upon tests performed by AC Electronics in a controlled environment and representative performance. Actual performance can vary depending on operating conditions. Specifications are subject to change without notice. All specifications are nominal unless otherwise noted.

Administration & Distribution Center: 3401 Avenue D, Arlington, TX 76011  
1-800-375-6355 • www.ace-ballast.com